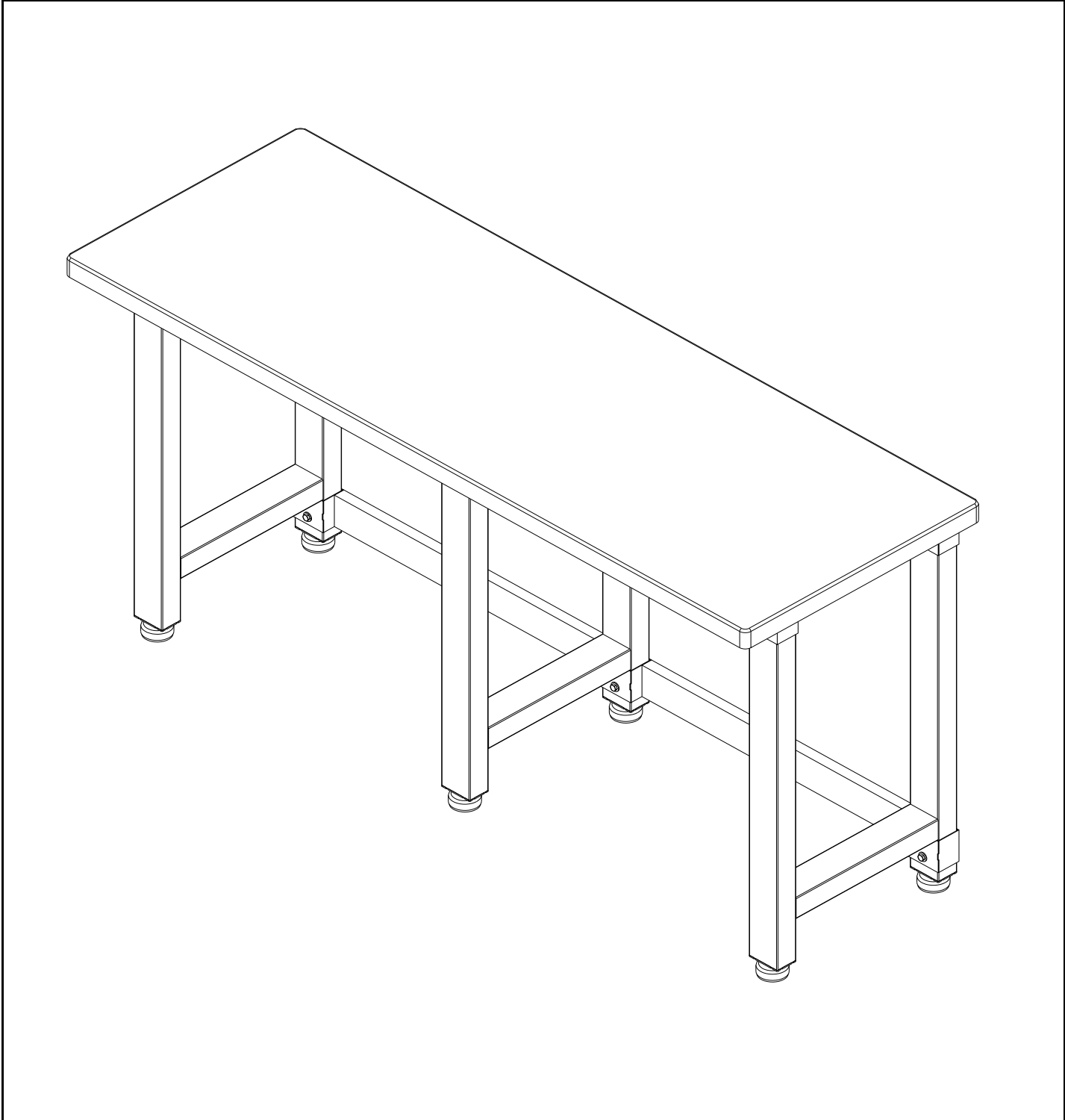




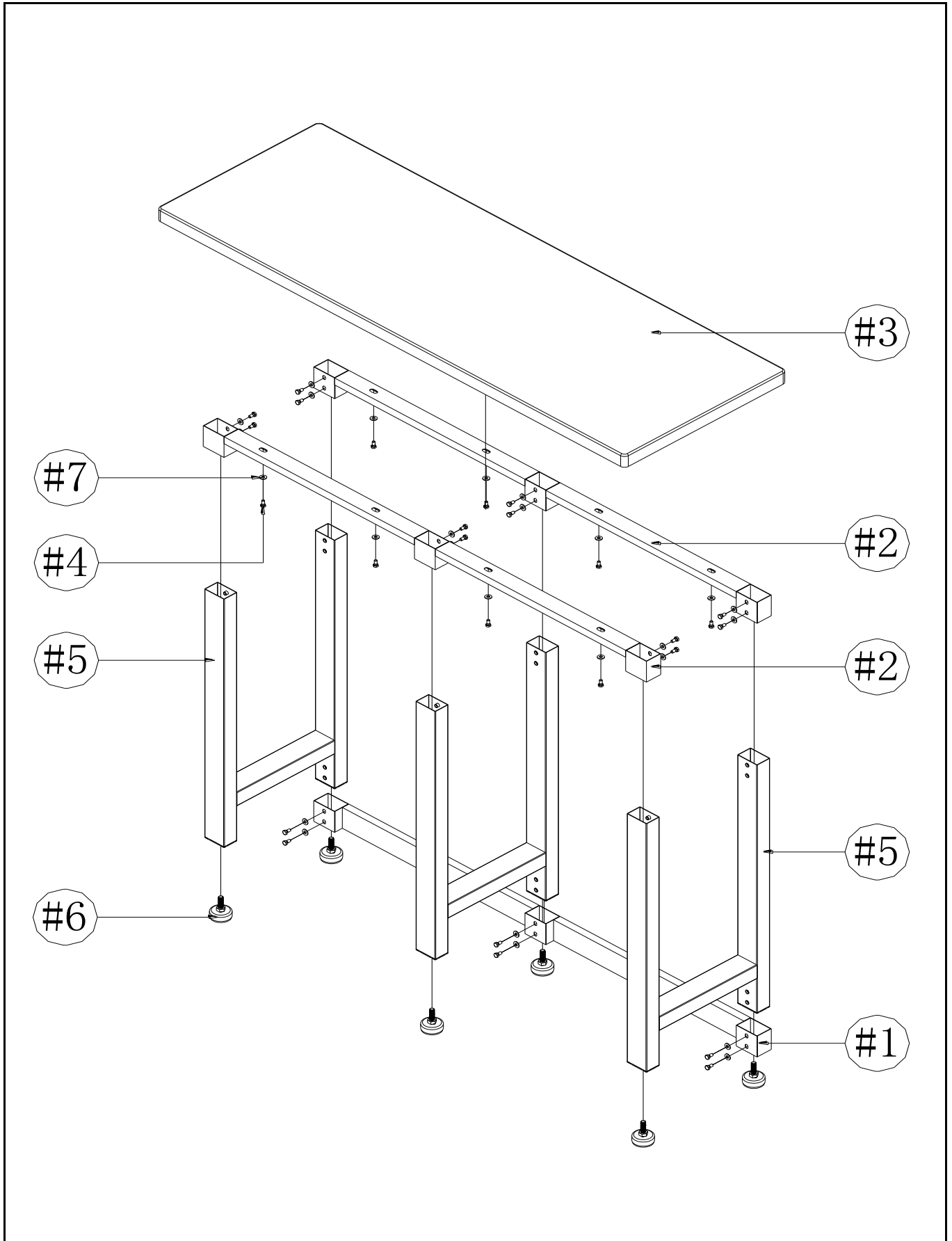
ASSEMBLY INSTRUCTIONS

UltraHD Workbench (Model #20146)

72in. W X 25in. D X 37.5in. H
(1.82m W X 63.5cm D X 95.2cm H)

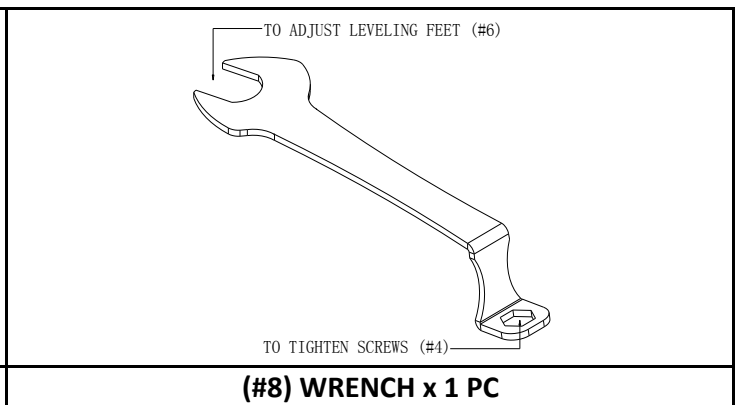
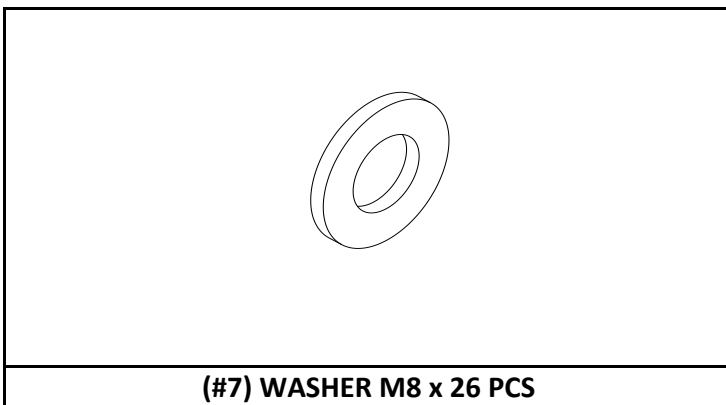
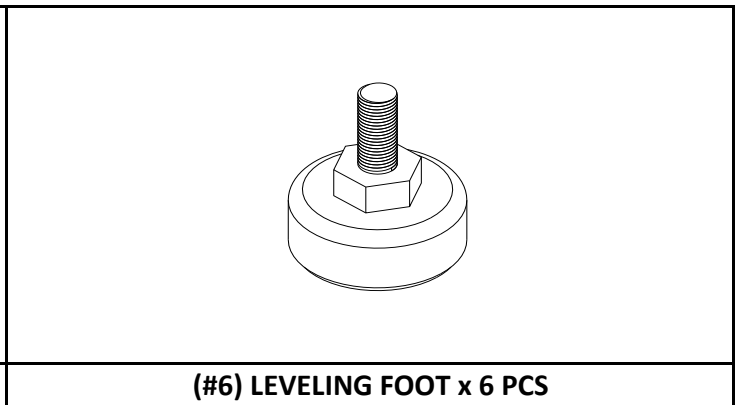
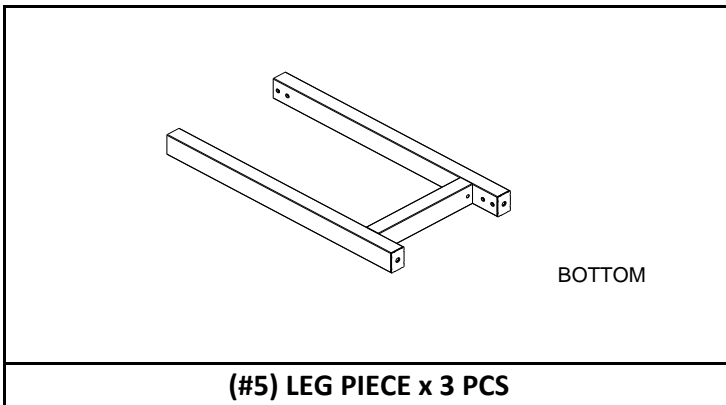
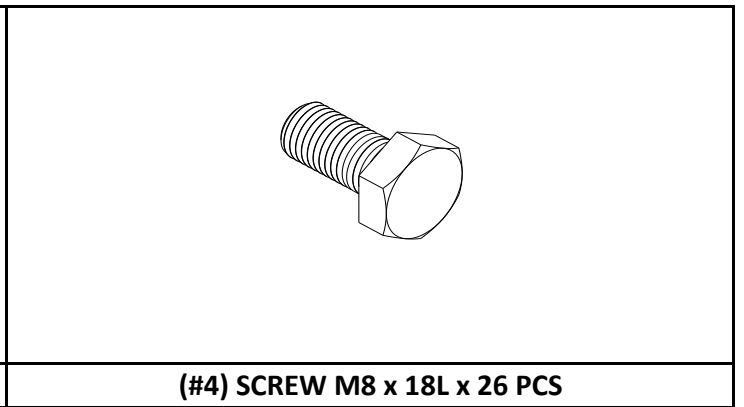
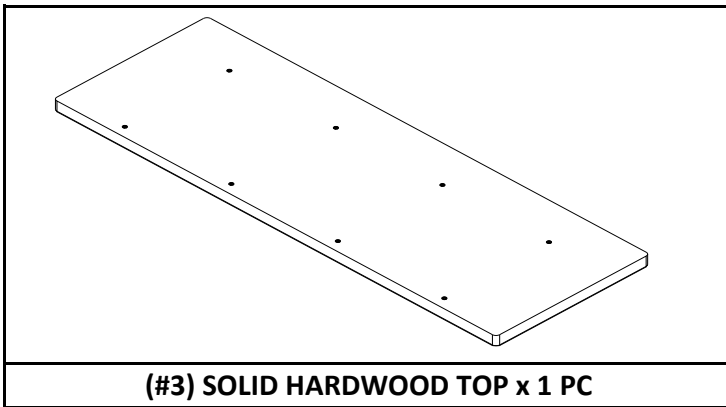
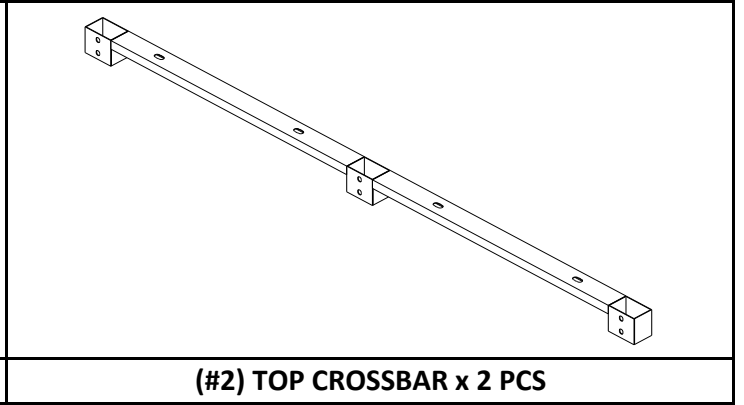
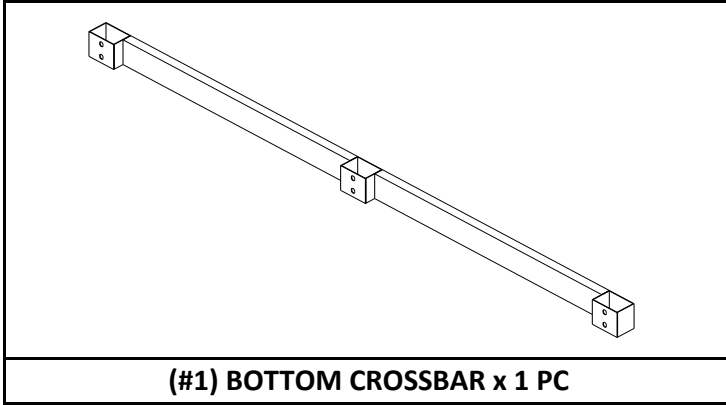


TR170601



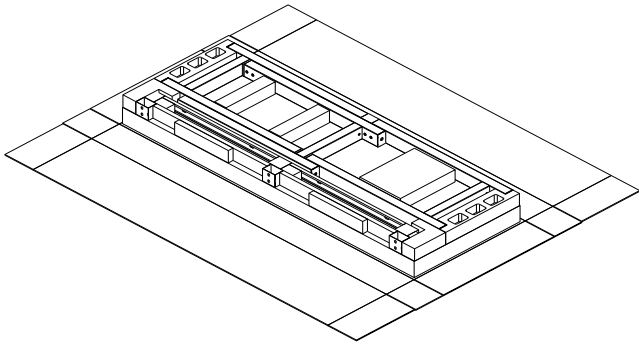
PARTS LIST (pg 2 of 5)

Please check the parts carefully according to the parts list. If you are missing any parts, please contact our customer service department. (Please refer to page 5 of 5)

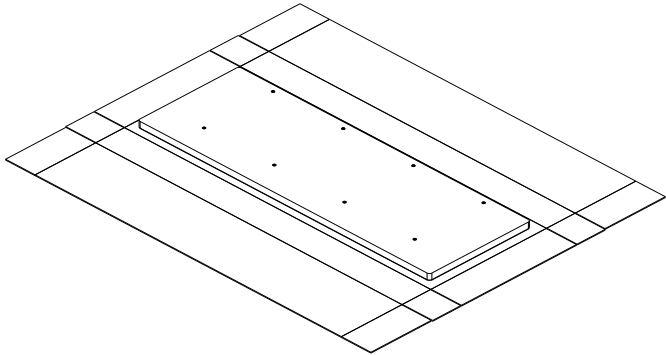


ASSEMBLY INSTRUCTIONS (pg 3 of 5)

UltraHD Workbench (Model No. 20146)

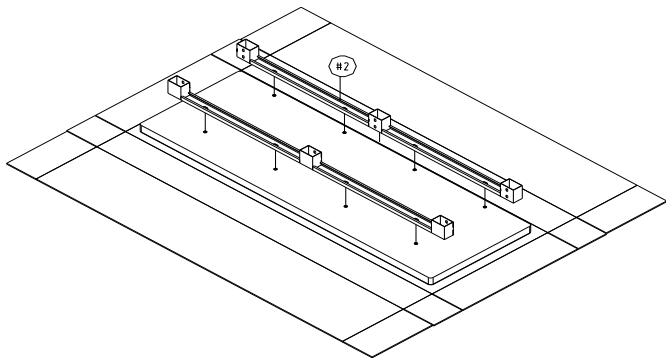


Step 1: Open color box and remove the parts that are on top of the inner cardboard box.

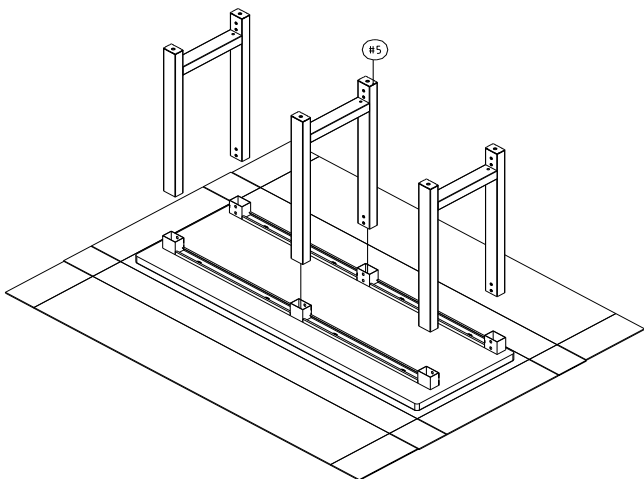


Step 2: Open the package, remove and place all parts to the side. Then open the package of the Solid Hardwood Top (#3).

Note: The Solid Hardwood Top is packed within an inner cardboard box.



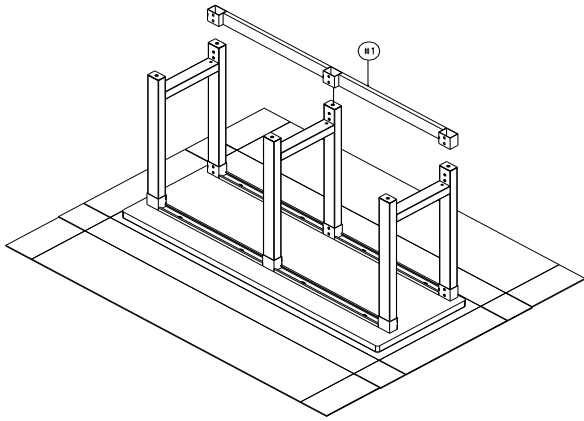
Step 3: Place the two top crossbar (#2) on the wood board and line up the screw holes, keeping in mind that the screw holes for the legs must face the inside of the board. Do not scw these pieces in yet, as this should be left until all of the pieces are in place.



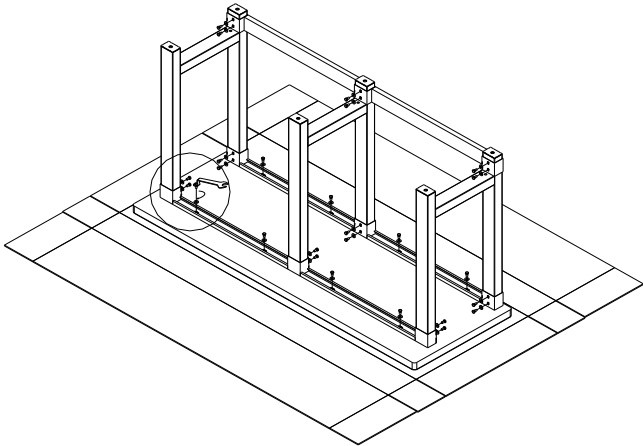
Step 4: Slide the leg pieces (#5) into the top crossbars as shown, making sure that the screw holes for the bottom crossbar face toward the front of the workbench.

ASSEMBLY INSTRUCTIONS (pg 4 of 5)

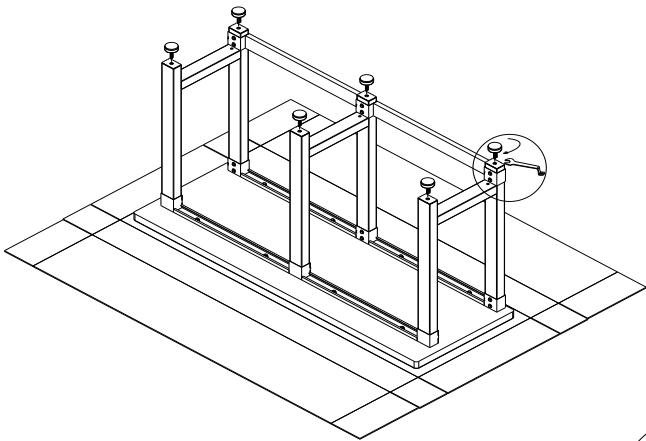
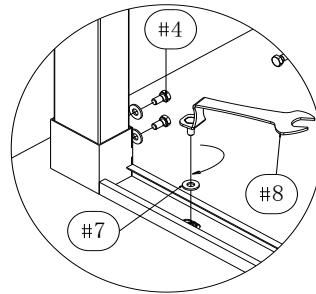
UltraHD Workbench (Model No. 20146)



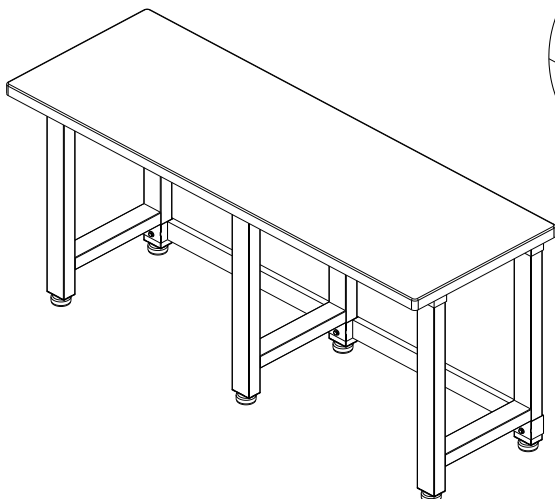
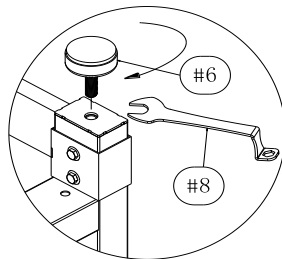
Step 5: Fit the bottom crossbar (#1) onto the legs.



Step 6: Use Wrench (#8) to tighten all the screws (#4, #7).



Step 7: Screw in the leveling feet (#6) all the way, using the wrench.



Step 8: Make sure all the screws are tightly fastened.

CONTACT INFORMATION (pg 5 of 5)

*If you are missing any parts, have any questions, or need additional assistance in assembly, please contact our bilingual (English and Spanish) customer service department at:

Seville Classics, Inc.
19401 South Harborage Way
Torrance, CA 90501
USA

Telephone: (800) 323-5565 within USA

Hours: 9:00am - 4:30pm (Pacific Standard Time)

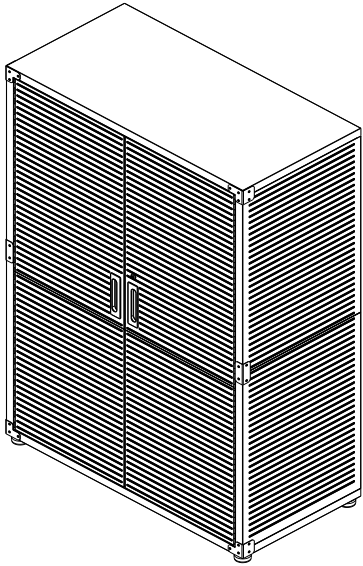
Fax: (310) 533-3899

E-mail: support@sevilleclassics.com

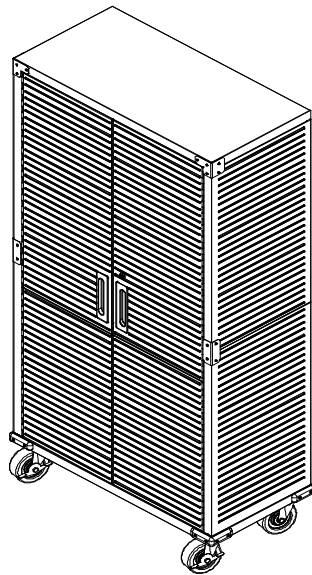
Website & Online Store: www.sevilleclassics.com

*****Please visit our website or call and inquire about our additional UltraHD Line*****

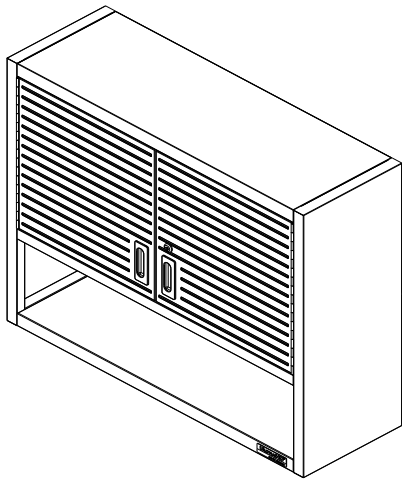
UltraHD Line



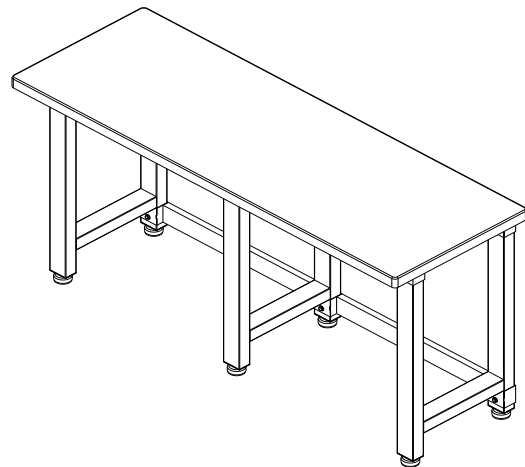
Model No. 20148
UltraHD Storage Cabinet



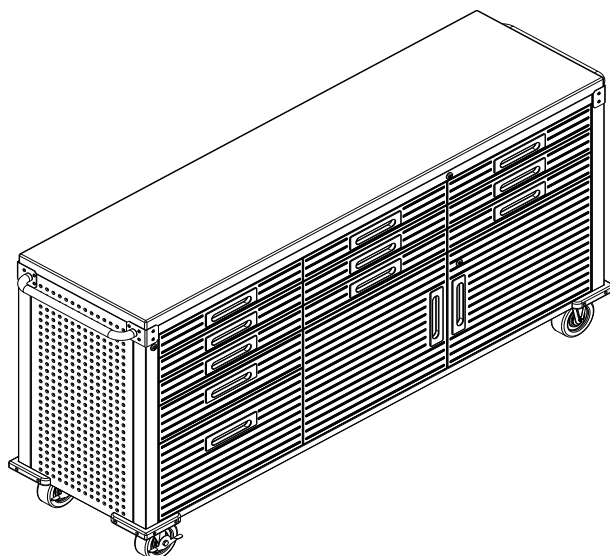
Model No. 20143
UltraHD Storage Cabinet



Model No. 20140
UltraHD Wall Cabinet



Model No. 20146
UltraHD Workbench



Model No. 20142
UltraHD Rolling Workbench