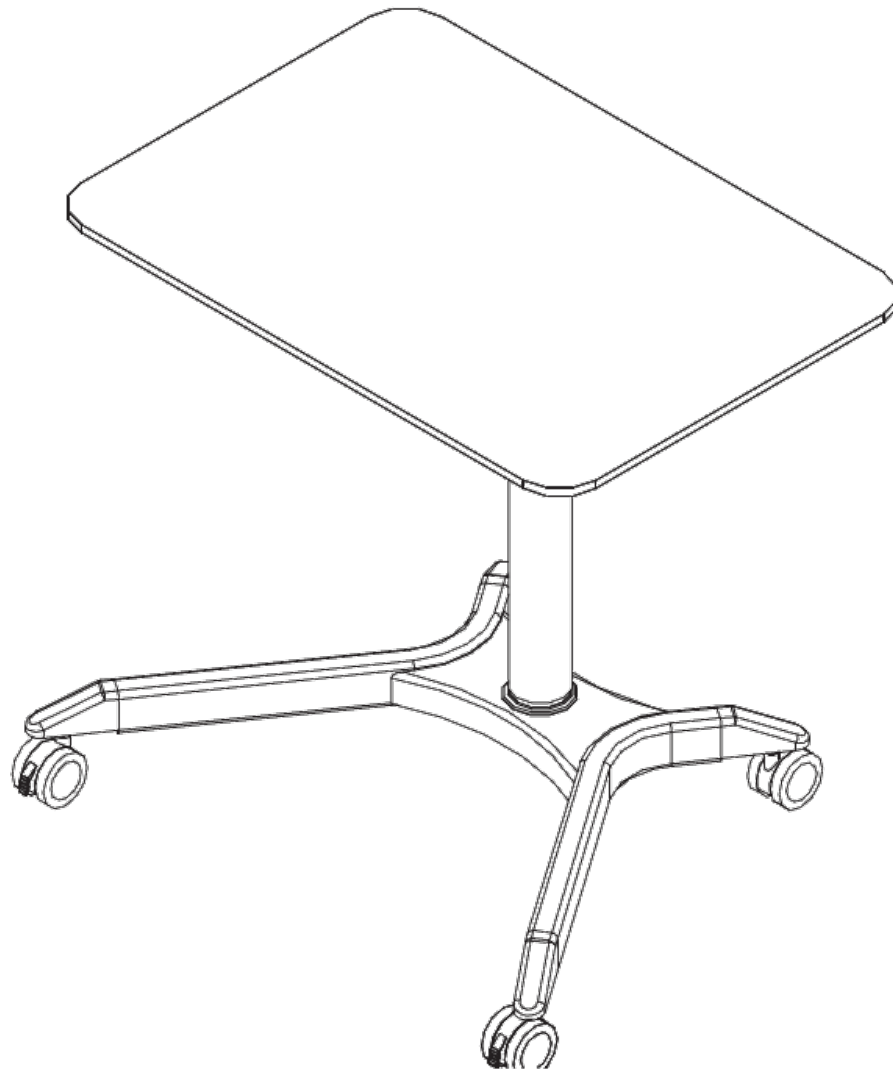


# seville classics®

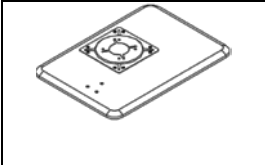
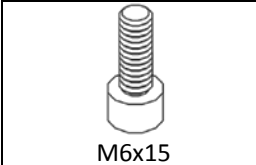

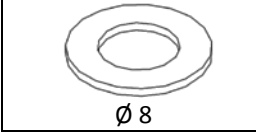

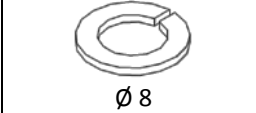



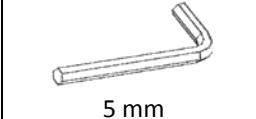

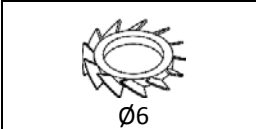
## AIRLIFT™ XL Sit-Stand Mobile Desk



Model #: OFF65800, OFF65801

Thank you for choosing Seville Classics! We hope that you enjoy your new sit-stand desk. Please read through this user guide for parts list, assembly instructions, frequently asked questions and further contact information.

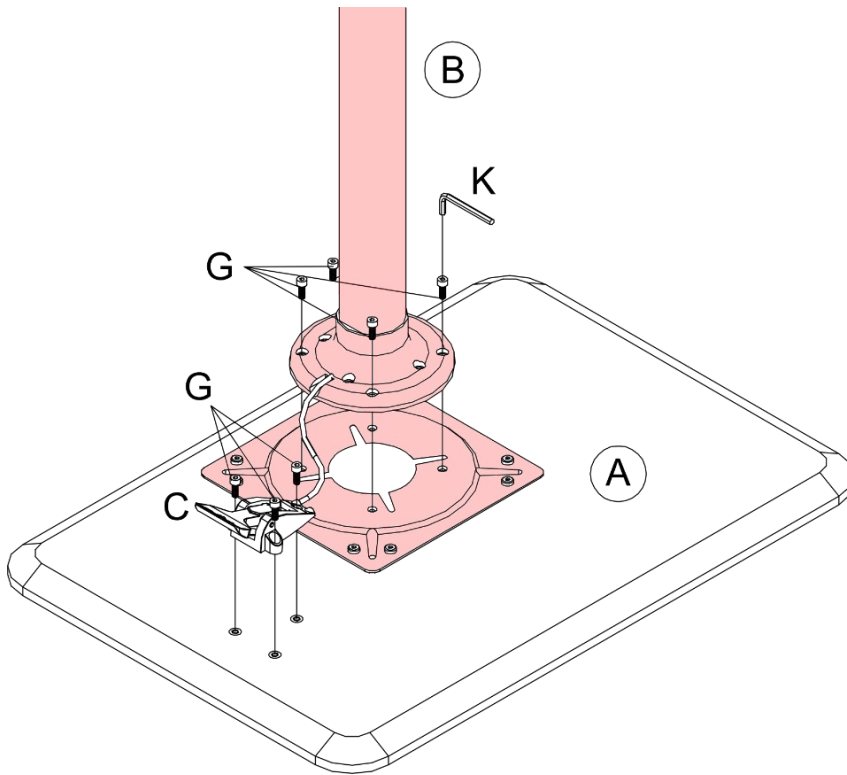
# Parts List

A. Top		G. Screws (10)	 M6x15
B. Cylinder		H. Washer (4)	 Ø 8
C. Adjustment Lever		I. Crush washer (4)	 Ø 8
D. Base		J. Wrench	 12, 14 mm
E. Caster (2)		K. Allen key	 5 mm
F. Locking Caster (2)		L. Locking washers (3)	 Ø6

Please make sure you have all the parts on this list.

If you're missing parts, contact us for replacements at (800) 323-5565 or send an email to [Support@SevilleClassics.com](mailto:Support@SevilleClassics.com)

# Assembly



## Step 1. Attach Cylinder to Top

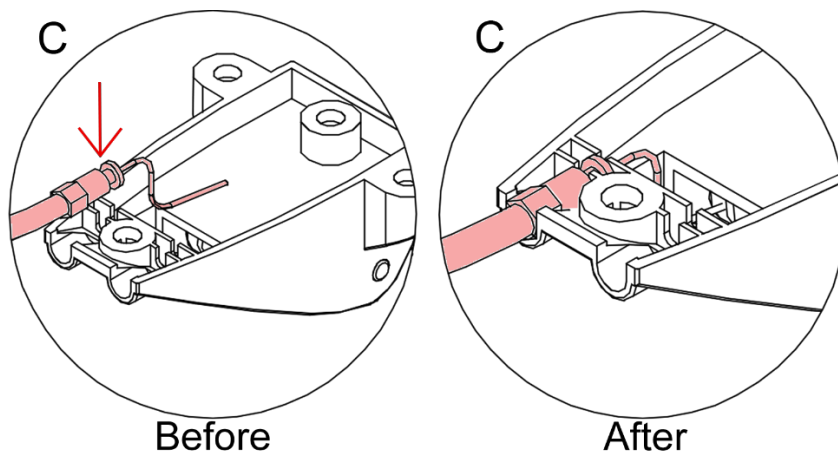
**Tool required: Allen key (K)**

Place the top of the desk (A) face down so the mounting plate faces up.

**CAUTION:** Place a blanket between the top and hard floors to avoid scratches.

Line up the holes on the cylinder (B) with holes on the mounting plate. Secure cylinder with four screws (G) and Allen key. Tighten until snug.

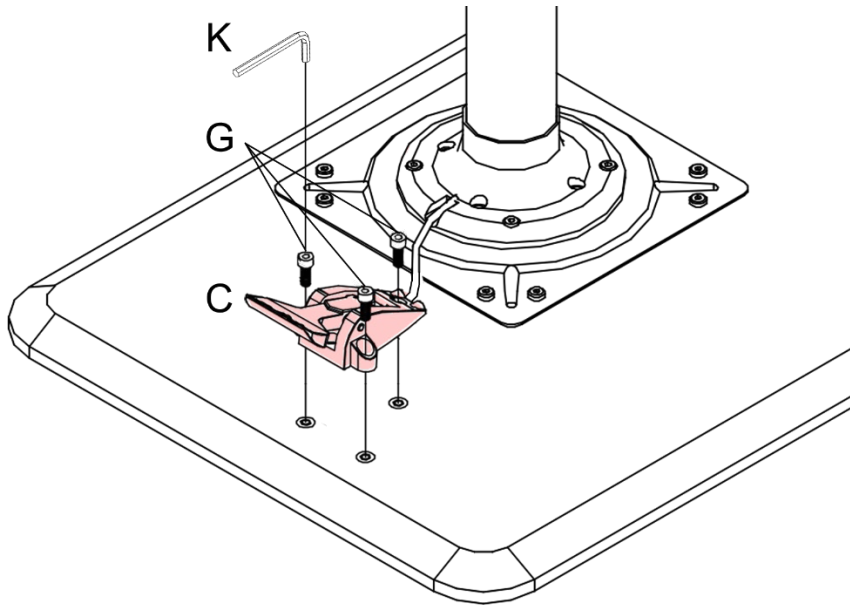
**IMPORTANT:** Make sure adjustment lever (C) can reach the mounting holes on the back of the top (A).



## Step 2. Install Adjustment Wire

Press the adjustment wire into the bracket on the back side adjustment lever (C).

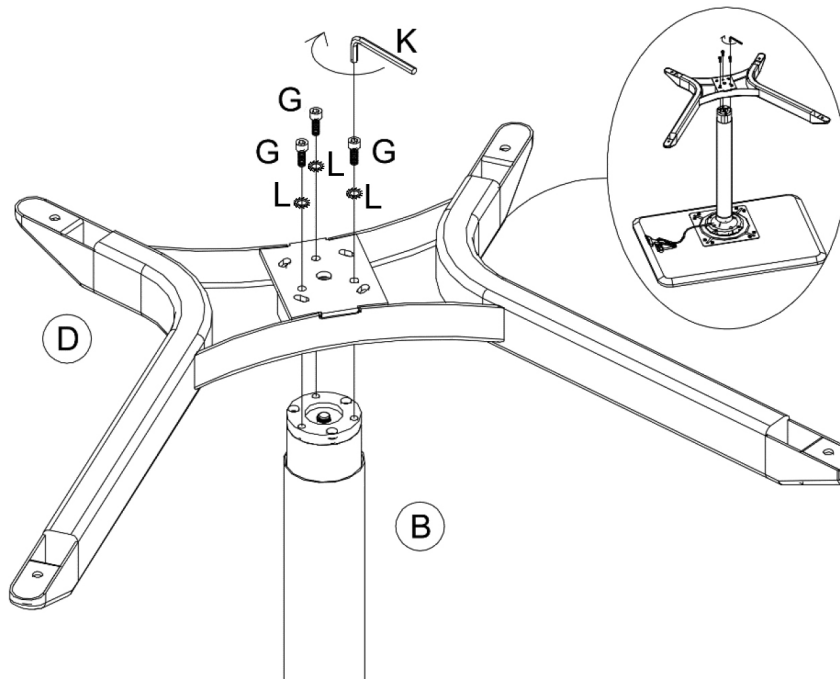
**Important:** Lever will not work and height will not adjust if wire is not clipped in correctly.



### Step 3. Install Adjustment Paddle

**Tool required: Allen key (K)**

Line up the holes of the adjustment lever (C) with the holes on the back of the desk. Secure adjustment lever with three screws (G) and Allen key (K). Tighten until snug.

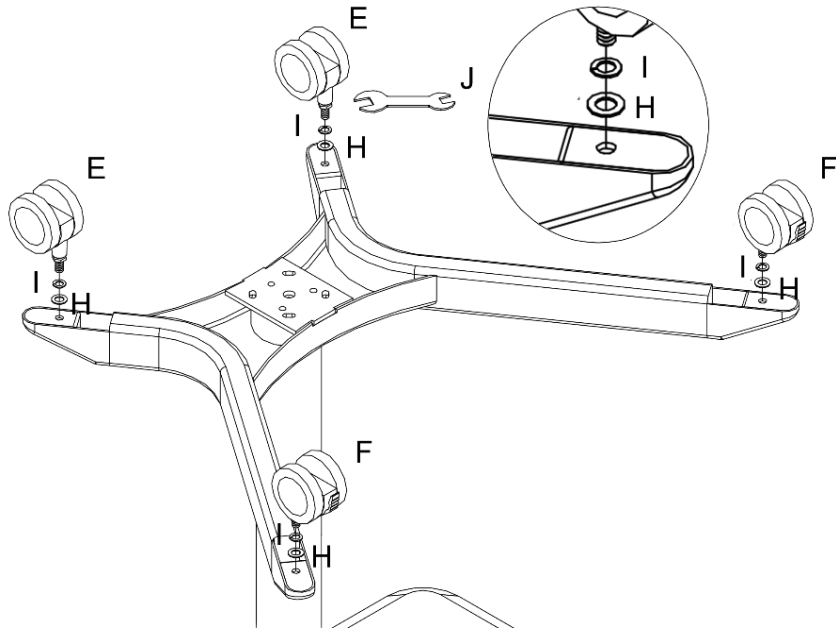


### Step 4. Attach Base to Cylinder

**Tool required: Allen key (K)**

Turn the base (D) upside down and fit it to the small end of the cylinder (B). Match the three holes on the bottom of the base with the three holes in the cylinder. Slip the locking washers (L) over three screws (G). Use the screws and washers to secure the base (D) to the cylinder (B).

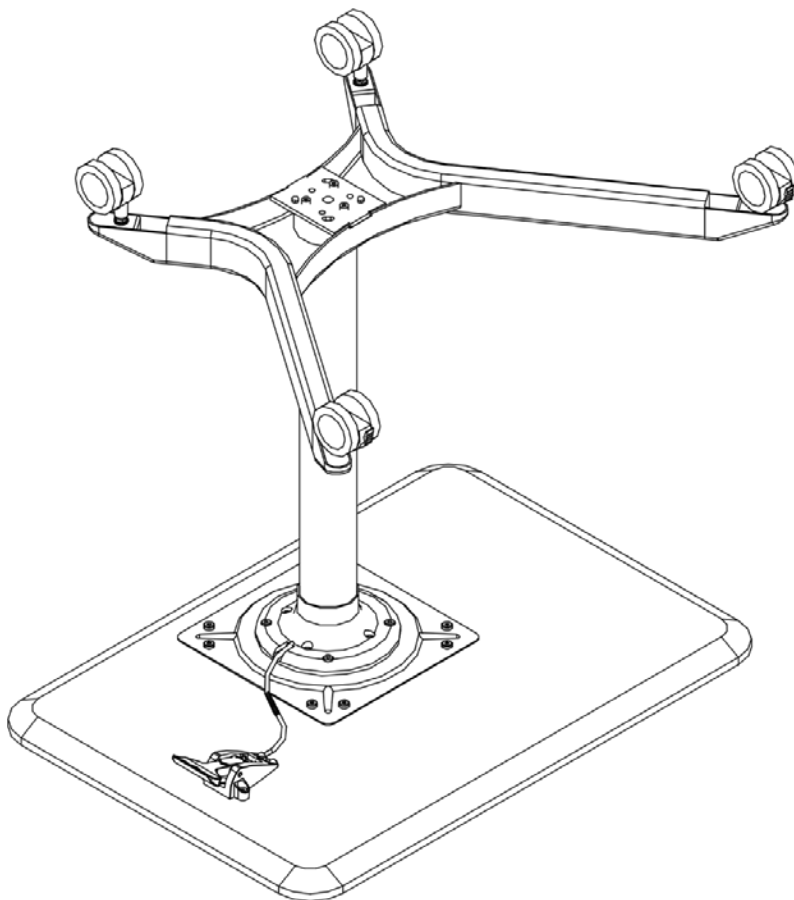
Tighten screws until snug with the Allen key (K).



## Step 5. Install Casters

**Tools required: Wrench (J)**

Install locking casters (F) on the long legs of the base and normal casters (E) on the short legs of the base. Screw the casters in by hand through a crush washer (I) and regular washer (H). Snug tight with included wrench (J).



## Step 6. Tighten All Screws

**Tool required: Allen key (K)**

Tighten all screws on the top, cylinder, adjustment lever, and base until snug. Flip the desk onto its wheels.

**Congratulations!**

**Enjoy Your New AIRLIFT™ Desk!**

# Use Instructions

1. Roll desk into desired position.
2. Lock casters to prevent the table from rolling.
3. To lift, pull up on the adjustment lever.
4. To lower, pull up on the adjustment lever while pressing down on the table top.
5. Release adjustment lever to lock-in table height.

## FAQs

**Q. Can I use it without the wheels?**

A. No. The base is not flat and will wobble without wheels.

**Q. How high and how low can my desk go?**

A. Maximum height is 41.9 inches. Minimum height is 27.1 inches.

**Q. Why won't my desk adjust its height?**

A. The adjustment wire is likely not clipped into the adjustment lever correctly. Reference the diagram in Step 2 for an example of the correct installation.

## Safety

Do not tip the desk over or place upside down.

Do not place more than 35 lbs. on the desk top.

## Customer Service Information

**Telephone:** (800) 323-5565

**Email:** [Support@SevilleClassics.com](mailto:Support@SevilleClassics.com)

**Fax:** (310) 533-3899

**Homepage:** [www.SevilleClassics.com](http://www.SevilleClassics.com)

**Hours:** 8:30 AM – 4:30 PM (PST)