

STEP 4. Insert Bins

Hang **BINS (C,D)** on crossbars.

FAQs

Q. How big is it?

A. Unit measures 14" D x 32" W x 34" H

Q. Can I use it without the casters?

A. No, the cart is not designed to be used without the casters.

Q. How much weight can it hold?

A. Weight capacity per bin: 11 lbs. (5 kgs)

Weight capacity overall: 99 lbs. (45 kgs)

Customer Service Information

Telephone: (800) 323-5565

Fax: (310) 533-3899

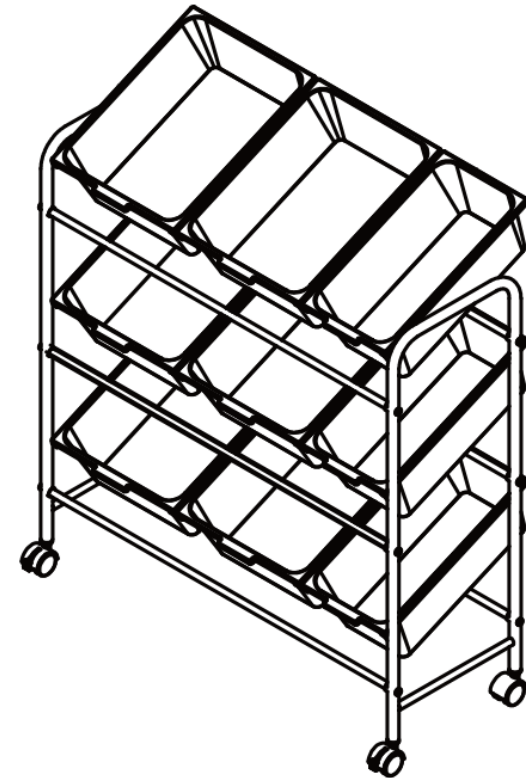
Hours: 8:30 AM – 4:30 PM (PST)

Email: Support@SevilleClassics.com

Homepage: www.SevilleClassics.com

seville classics®

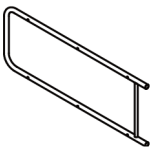
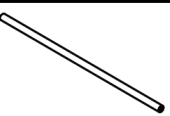
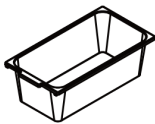
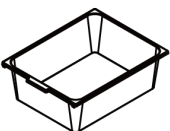






9-Bin Organizer Cart, Gradient Gray



Model #: WEB546

Thank you for choosing Seville Classics! We hope that you enjoy your organizer cart. Please read through this user guide for parts list, assembly instructions, frequently asked questions and contact info.

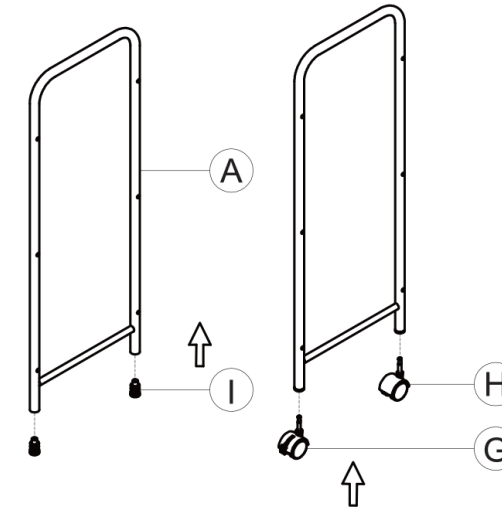
Parts List

A. Side frame (2)	
B. Crossbar (6)	
C. Narrow Bin (3)	
D. Wide Bin (6)	
E. Hex Wrench (1)	
F. Screws (12)	
G. Locking Caster (2)	
H. Caster (2)	
I. Sleeve (4)	
J. Washer (12)	

Please make sure you have all the parts on this list.

If you're missing parts, contact us for replacements at (800) 323-5565 or send an email to Support@SevilleClassics.com

Assembly Instructions



STEP 1. Attach Casters

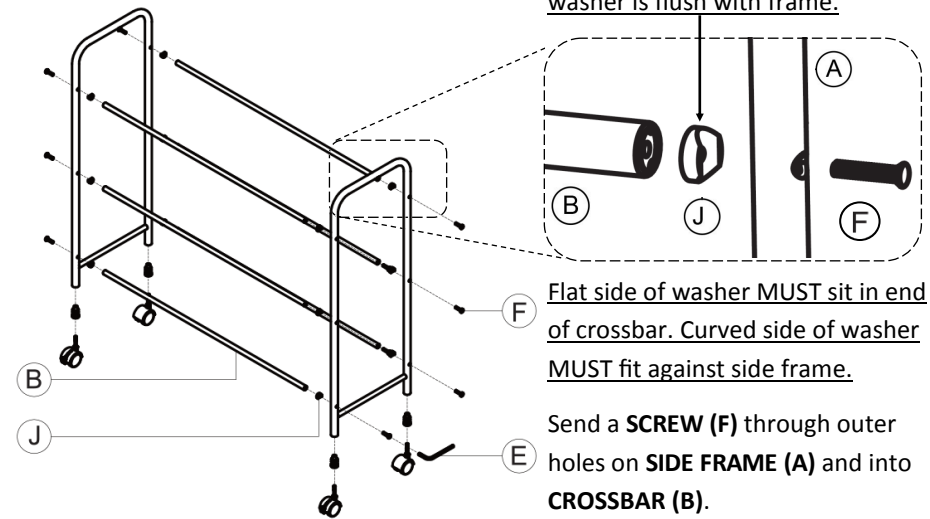
Push **SLEEVES (I)** into bottom of **SIDE FRAME (A)** poles.

Push one **CASTER (H)** and one **LOCKING CASTER (G)** into the **SLEEVES (I)** on each pole.

STEP 2. Attach Crossbars

Fit a **WASHER (J)** between the **SIDE FRAME (A)** and **CROSSBAR (B)**.

Be sure the curved side of the washer is flush with frame.



Flat side of washer MUST sit in end of crossbar. Curved side of washer MUST fit against side frame.

Send a **SCREW (F)** through outer holes on **SIDE FRAME (A)** and into **CROSSBAR (B)**.

Tighten with **HEX WRENCH** and repeat for remaining crossbars.

STEP 3. Connect Side Frames

Attach second **SIDE FRAME (A)** to **CROSSBARS (B)** and **WASHERS (J)**.

Tighten with **HEX WRENCH (E)**.