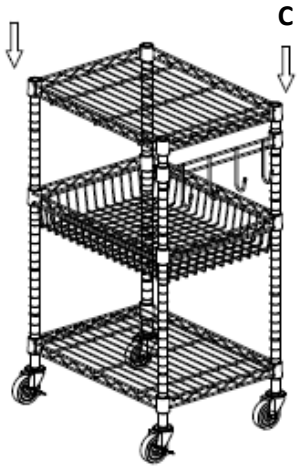
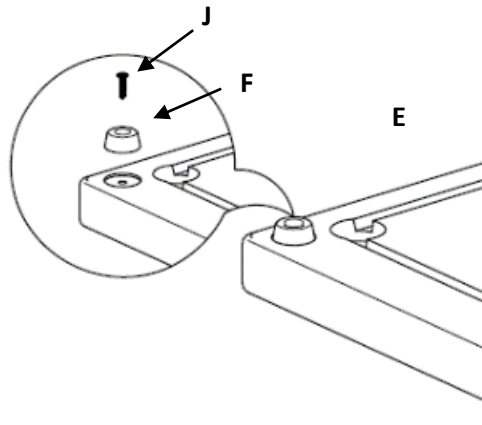


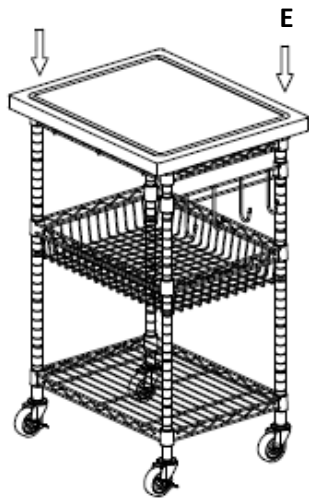
7



8



9

**OVERALL WEIGHT CAPACITY:**

330 lb / 150 kgs

BAMBOO TOP:

200 lb / 91 kgs

WIRE BASKETS:

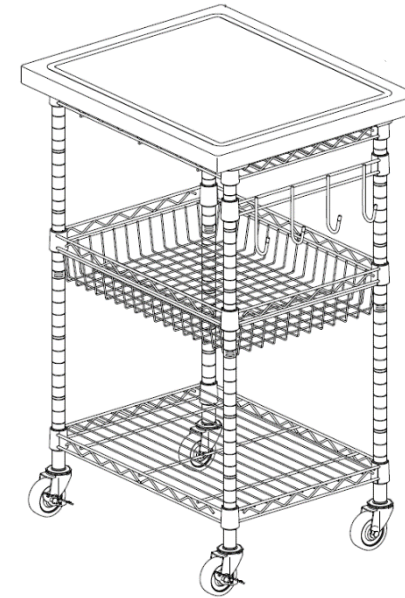
65 lb / 29.5 kgs

WIRE SHELF:

65 lb / 29.5 kgs

ASSEMBLY INSTRUCTIONS**BAMBOO PREP TABLE**

M# 18346



We would like to hear from you with any comments or suggestions.
 In the continental U.S. or Canada, you can call us toll-free at
 1.888.301.0332 from 8 a.m. to 5 p.m. CST Monday – Friday.
 You can also send us an email using the feedback icon at [SamsClub.com](mailto:Feedback@SamsClub.com)


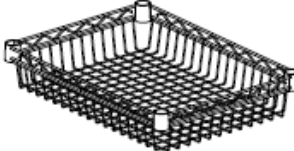
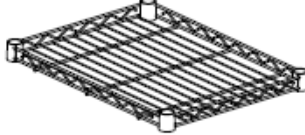
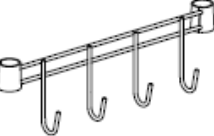
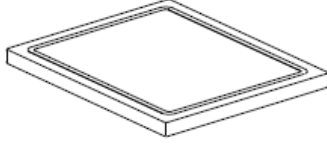

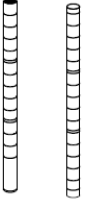

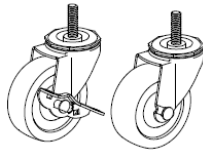
For assembly questions, please call
 1.800.323.5565 from 8:30 a.m. to 4:30 p.m. PST Monday - Friday

Seville Classics, Inc.
 Torrance, CA 90501 USA
www.sevilleclassics.com
 ©2018 Seville Classics, Inc.



Unpack and remove all parts from the box. If there are missing or broken parts, please contact our CUSTOMER SERVICE.

Parts List

<p>A x1</p> 	<p>B x1</p> 	<p>C x1</p> 
<p>D x1</p> 	<p>E x1</p> 	<p>F x4</p> 
<p>G x4</p> 	<p>H x14</p> 	<p>I x2</p> 
<p>J x4</p> 