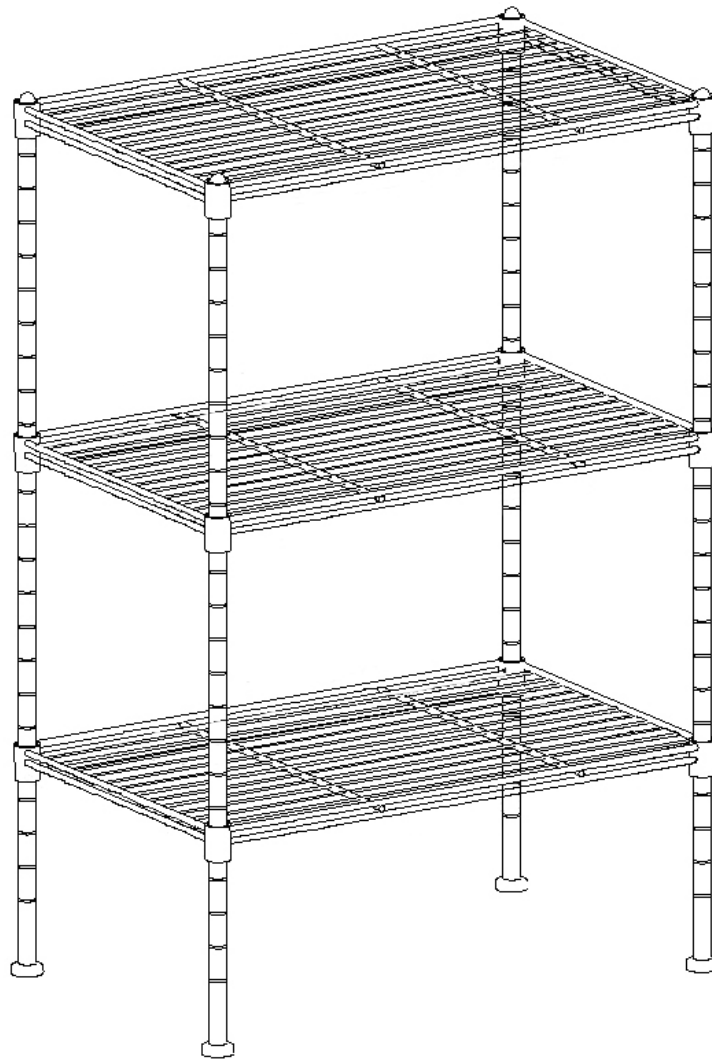


real
organized™

Item #024190

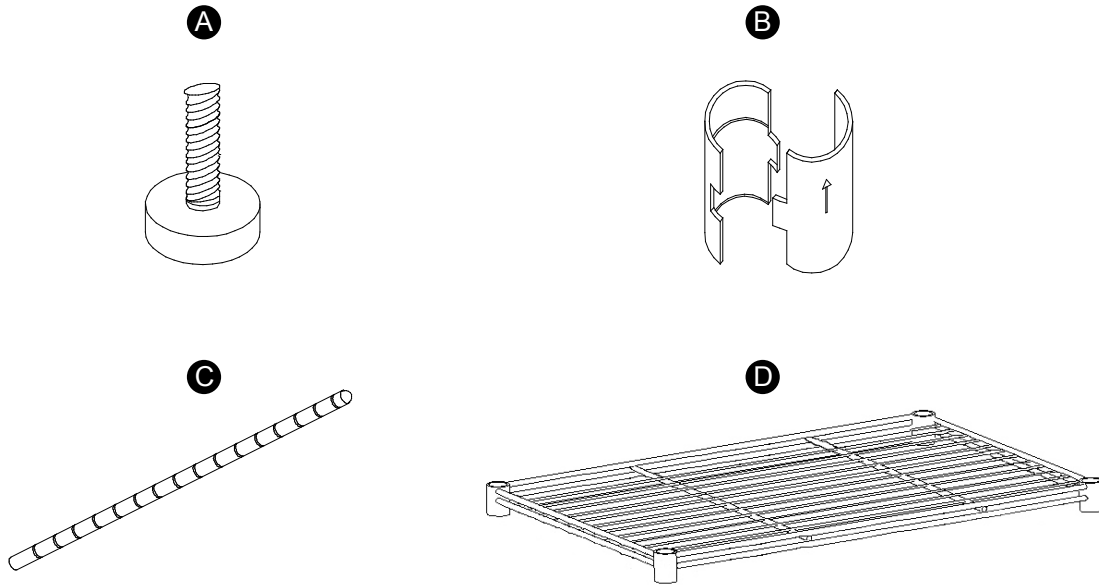
Triple Tier Shelf

Model #SHE05105



Questions, problems, missing parts? Before returning to your retailer, call our customer service department at 1-800-323-5565, 9:00 a.m.-4:30 p.m., PST, Monday-Friday or email us at: Support@SevilleClassics.com

PACKAGE CONTENTS



Part	Description	Quantity
A	Leveling Feet	4 Each
B	Slip Sleeves	12 Sets
C	Poles	4 Each
D	Shelves	3 Each

⚠ WARNING

Weight Capacity:

- Shelf 15 lbs.
- Unit 45 lbs.

PREPARATION

Before beginning assembly of product, make sure all parts are present. Compare parts with package contents list and diagram above. If any part is missing or damaged, do not attempt to assemble, install or operate the product. Contact customer service for replacement parts.

- Estimated assembly time: 15 minutes
- No tools required for assembly

ASSEMBLY INSTRUCTIONS

1. Screw the leveling feet (**A**) into the bottom of each pole (**C**), as shown in Figure 1.

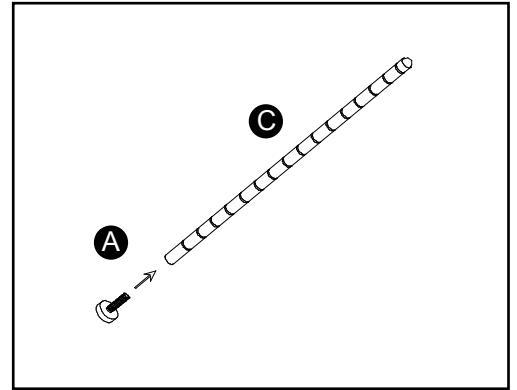


Fig.1

2. Fasten a pair of slip sleeves (**B**) around the groove of each pole, at the desired height for the basket. If necessary, move the sleeves slightly up or down until it snaps into position, as shown in Figure 2.

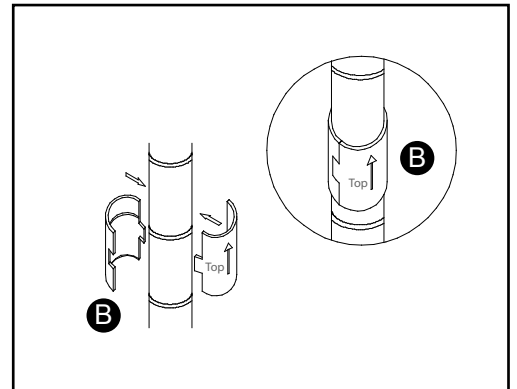


Fig.2

3. Slide the shelf (**D**) over the poles (**C**) and push down, as shown in Figure 3.

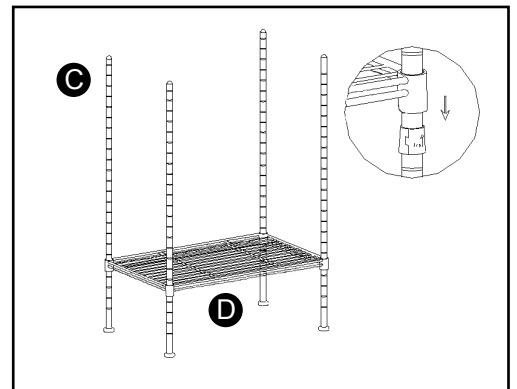


Fig.3

4. Fasten slip sleeves (**B**) around the grooves at the desired height and slide shelf (**D**) over the poles. Repeat step for the other shelf, as shown in Figure 4. Make certain all shelves are level by adjusting the slip sleeves and/or adjusting the leveling feet.

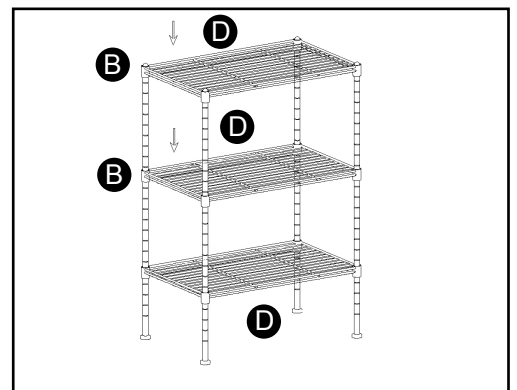


Fig.4

CARE AND MAINTENANCE

With regular care and maintenance, your Triple Tier Shelf will provide superior performance and satisfaction. To maintain the finish quality of your unit, please follow the cleaning instructions provided below.

CARE

- For cleaning, wipe surface with a damp soft cloth.
- Be sure to dry completely before using the unit again.

MAINTENANCE

- The unit is designed to require very little maintenance.
- Regular cleaning of the shelves is the only form of maintenance necessary.

(Printed in China)