

## FAQs

**Q. Where can I buy wheels?**

A. Visit [www.sevilleclassics.com](http://www.sevilleclassics.com) and search for stainless steel worktable wheels.  
(Model No. **SHE18308WH**)

**Q. Where can I get extra shelves?**

A. Visit [ww.sevilleclassics.com](http://www.sevilleclassics.com) and search for stainless steel worktable extra shelf.  
(Model No. **SHE18308SH**)

**Q. Can it hold a countertop dishwasher?**

A. Sure! Table top holds up to 500 lbs. per shelf and up to 1000 lbs. evenly distributed across the shelves and top. Its's perfect for appliances.

**Q. Can I use it in a restaurant?**

A. Yes, our stainless-steel worktable is certified by the NSF to NSF/ANSI Standard 2 - Food Equipment for use in dry environments.

## Safety

Do not tip the table over or place upside down.  
Do not place more than 1000 lbs. on the table top.

## Specifications

Dimensions: 49" W x 24" D x 35.5" H  
Weight Capacity: 1000 lbs. evenly distributed  
Weight: 55 lbs.

## Customer Service Information

**Telephone:** (800) 323-5565

**Fax:** (310) 533-3899

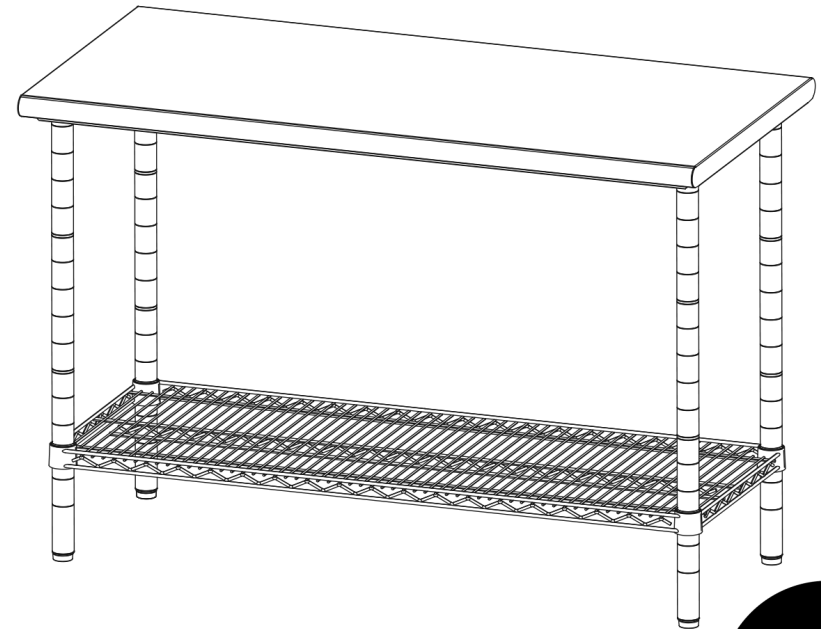
**Hours:** 8:30 AM – 4:30 PM (PST)

**Email:** [Support@SevilleClassics.com](mailto:Support@SevilleClassics.com)

**Homepage:** [www.SevilleClassics.com](http://www.SevilleClassics.com)

# seville classics®

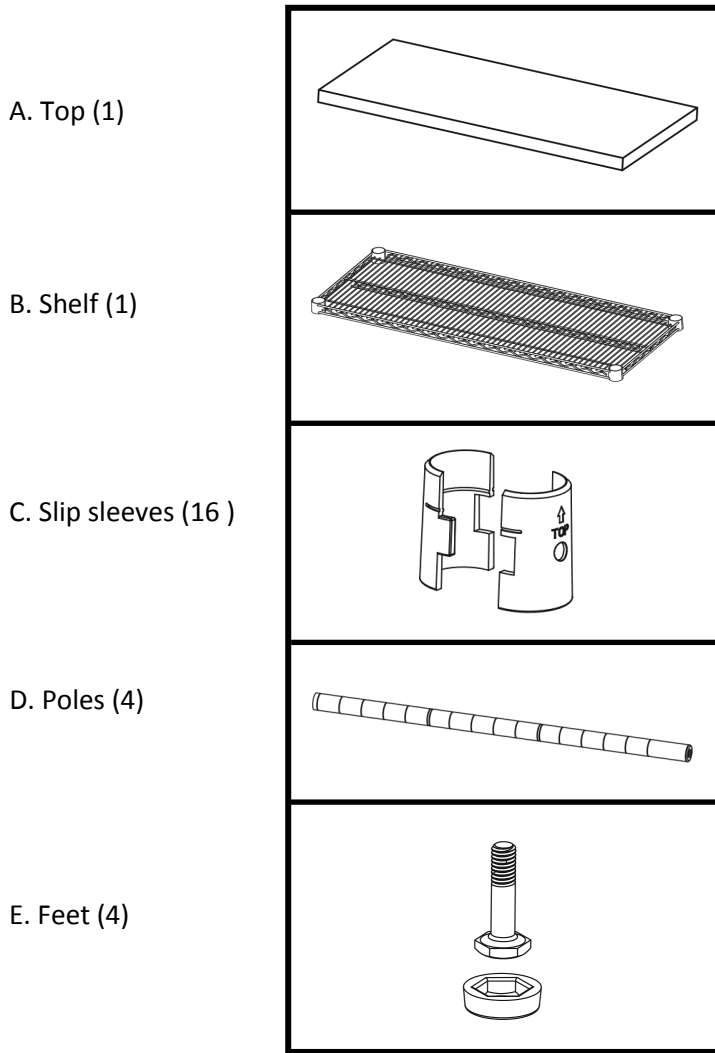
## Commercial-Grade NSF Stainless-Steel Top Work Table



**Model: SHE18308B**

Thank you for choosing Seville Classics! We hope that you enjoy your new stainless-steel table. Please read through this user guide for parts list, assembly instructions, frequently asked questions and contact information.

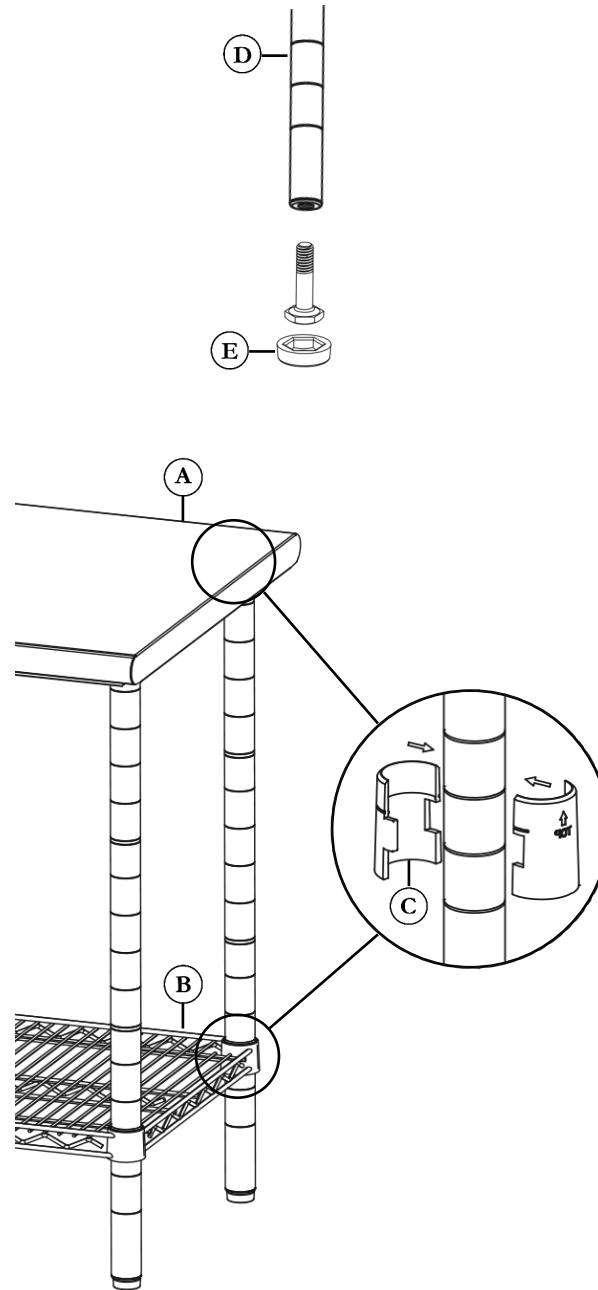
# Parts List



**Please make sure you have all the parts on this list.**

If you're missing parts, contact us for replacements at (800) 323-5565 or send an email to [Support@SevilleClassics.com](mailto:Support@SevilleClassics.com)

# Assembly Instructions



**STEP 1.**  
Fit caps over the bottoms of **LEVELING FEET (E)**, and screw into the base of **POLES (D)**.

**STEP 2**  
Clip **SLIP SLEEVES (C)** around bottom grooves.

**IMPORTANT:** Count up from bottom grooves to make sure all slip sleeves are at the same height.

Fit **SHELF (B)** over slip sleeves and press down firmly.

**STEP 3.**  
Clip **SLIP SLEEVES (C)** around top grooves on each pole.

Fit **TOP (A)** over slip sleeves and press down firmly.

**CONGRATULATIONS!**  
Enjoy your new stainless-steel worktable!