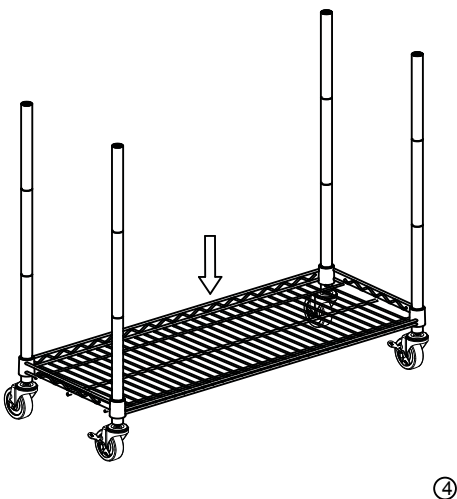
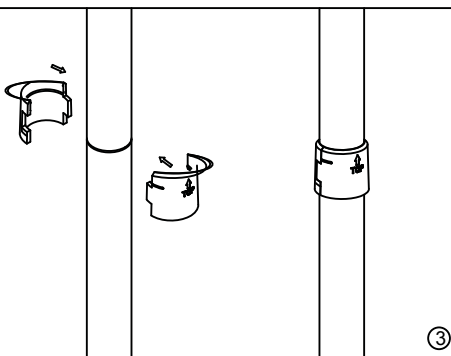
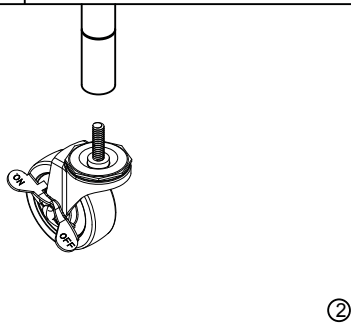
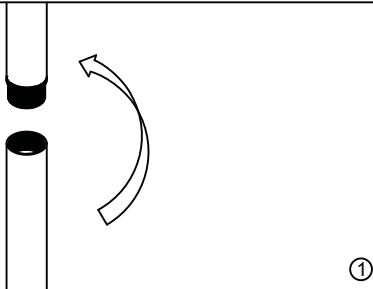
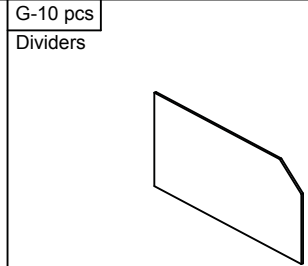
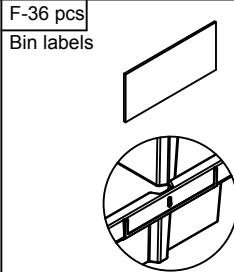
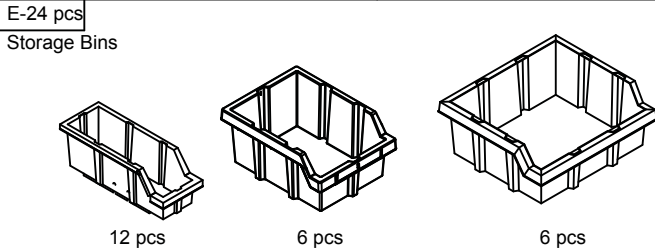
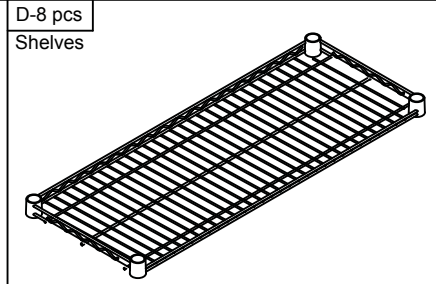
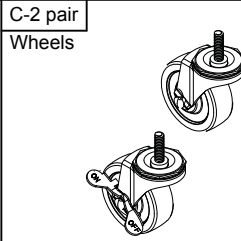
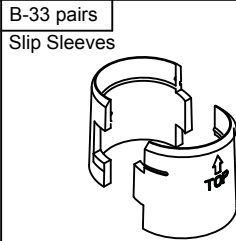
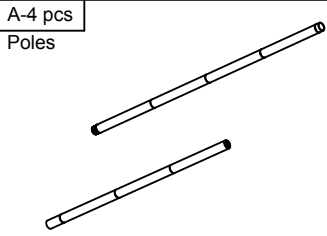


#16508

ASSEMBLY INSTRUCTION-BIN RACK



Step 1

Screw the top and bottom pole(A)together.

Step 2

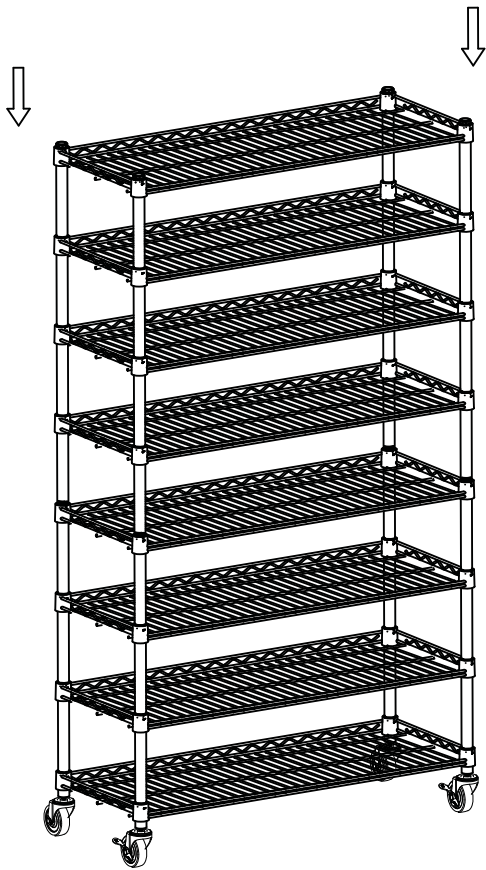
Screw the wheels(C)into the bottom end of each pole.

Step 3

Starting at the bottom,fasten a pair of slip sleeves(B) around the groove of each pole. If necessary ,move the sleeves slightly up or down until it "snaps"into place.

Step 4

Slide the shelf(D)over the top of the 4 poles until it rests snugly over the sleeves. Repeat for 6 other shelves(D).
Tip :If necessary ,use a rubber mallet to further secure the shelf.



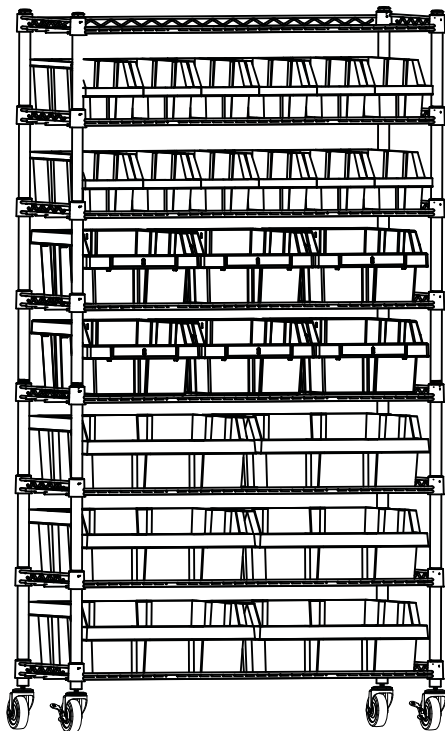
Step 5

Fasten slip sleeves(B) around the groove at the top of the poles. Install the top shelf(D) over the top of the 4 poles.

Slide the bins(E) onto the shelves.

Put the divider(G) in the desired bins.

Place the bin labels(F) in the label slot.



If you are missing any parts, have any questions, or need additional assistance in assembly, please contact our bilingual (English/Spanish) customer service department at:



Seville Classics, Inc
19401 South Harborage Way
Torrance, CA 90501 USA

Telephone: (800) 323-5565 within USA
Hours: 9:00am - 4:30pm (Pacific Standard Time)
Fax: (310) 533-3899
E-mail: support@sevilleclassics.com
Website & Online Store: www.sevilleclassics.com

Warning: the weight capacity for the whole unit
with wheels is 500 LBS (226.8 kg)